

SWISSDIS



Swissdis AG
Grasweg 7
CH-4911 Schwarzhäusern

Tel.: +41 62 919 44 00
Fax: +41 62 919 44 01
info@swissdis.ch
www.swissdis.ch

SPECIFICATIONS

NESSCAP Ultracapacitor Products

Version January 2013



NESSCAP® Ultracapacitor Products

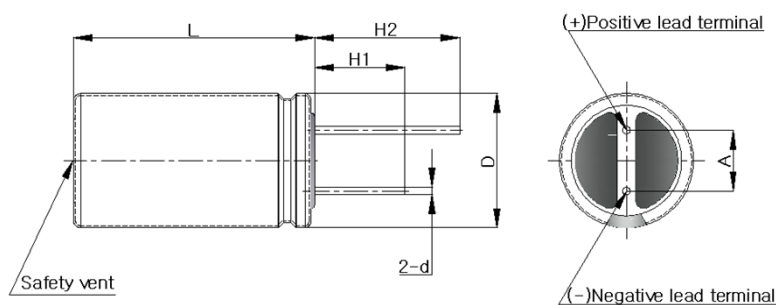
Features

EDLC(Electric Double Layer Capacitor)
Two lead terminals and radial design
Compliant with RoHS requirement (Ex : Cd, Pb)



Dimension

Dimension in mm (not to scale)



Capacitance (F)	Dimension (mm)					
	D (+0.5)	L (+1.5)	H1 (min)	H2 (min)	d (±0.05)	A (±0.5)
3F	8	20	15	19	0.6	3.5
5F	10	20	15	19	0.6	5.0
6F	8	30	15	19	0.6	3.5
10F	10	30	15	19	0.6	5.0
25F	16	25	15	19	0.8	7.5
50F	18	40 (+2.0)	15	19	0.8	7.5

Product & Spec.

Rated Capacitance (F)	Internal Resistance (mΩ)		Max. Current (A)	Leakage Current (mA)	Stored Energy (Wh)	Specific Energy (Wh/kg)	Weight (g)	Part Number
	AC(1kHz)	DC	1 sec discharge rate to 1/2V _R	72hours, 25°C	at V _R	Gravimetric		
3	< 61	< 79	3.3	< 0.005	0.003	2.00	1.5	ESHSR-0003C0-002R7
5	< 29	< 38	5.7	< 0.008	0.005	2.17	2.3	ESHSR-0005C0-002R7
6	< 26	< 34	6.7	< 0.017	0.006	2.61	2.3	ESHSR-0006C0-002R7
10	< 26	< 34	10.1	< 0.023	0.010	3.13	3.2	ESHSR-0010C0-002R7
25	< 21	< 27	20.1	< 0.049	0.025	3.85	6.5	ESHSR-0025C0-002R7
50	< 14	< 18	35.5	< 0.073	0.051	3.92	13.0	ESHSR-0050C0-002R7

Rated Voltage, V _R	2.7 V	
Surge Voltage	2.85 V	
Capacitance Tolerance	-10% / +20%	
Operating Temperature Range	-40 ~ 65 °C	ΔC < 5% and ΔESR < 0.5 times of initially measured value at 25°C, respectively
Storage Temperature Range	-40 ~ 70 °C	
Life Time at RT ⁽¹⁾	10 years	(1) ΔC < 30% and ΔESR < 1 times of initially specified value, respectively and LC < specified value
Cycle Life (25°C) ⁽¹⁾⁽²⁾	500,000 cycles	(2) Cycle : between rated voltage and half rated voltage under constant current at 25°C