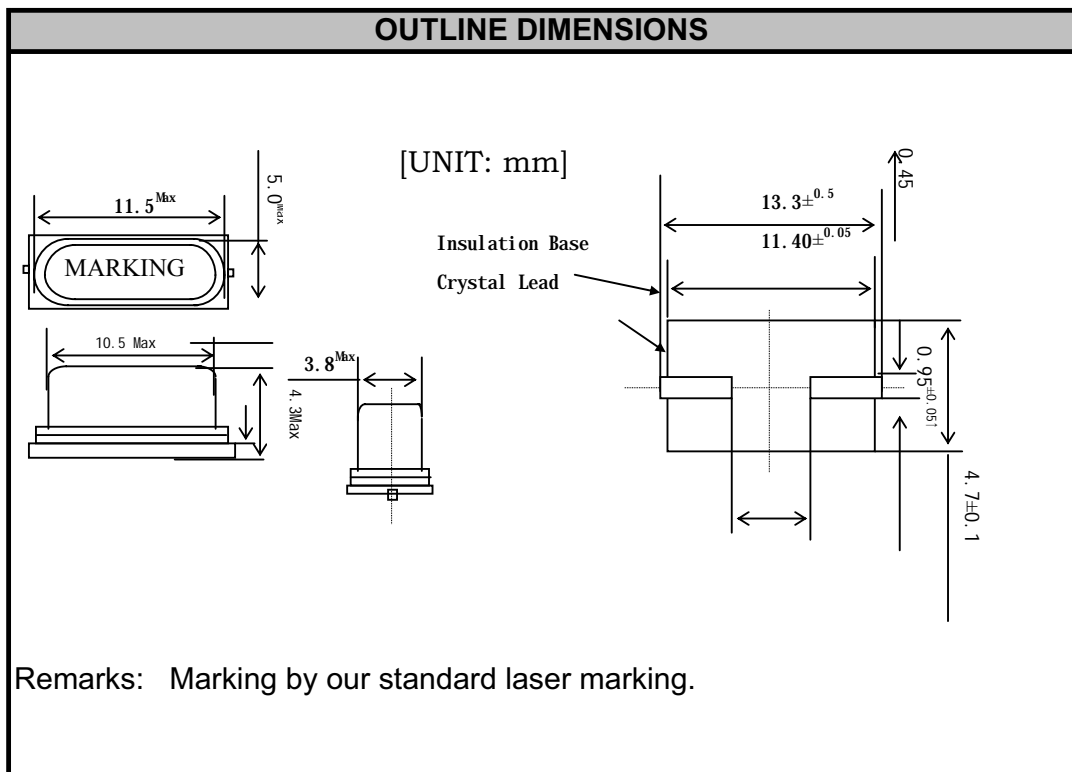


### SPECIFICATION DATA SHEET

DATE: 20-Apr-10

TYPE	HC-49US/SMD	
Part Number	AS49SD-16M-FE160E3	
Nominal frequency	16.000000 MHz	
Oscillation mode	Fundamental	
Frequency tolerance	± 30 ppm 25±3°C	
Temperature characteristics	± 30 ppm (-20°C~+ 70°C)	
Load capacitance	16.0 pF	
Drive level	100 μW	
Series capacitance (C <sub>1</sub> )	— fF	
Parallel capacitance (C <sub>0</sub> )	7.0 pF Max	
Series resistance	30 Ω Max	
Storage Temperature	-40°C~+ 85°C	
Aging	± 3 ppm Max /Year	

### OUTLINE DIMENSIONS



\* We reserved the right to change the content anytime.