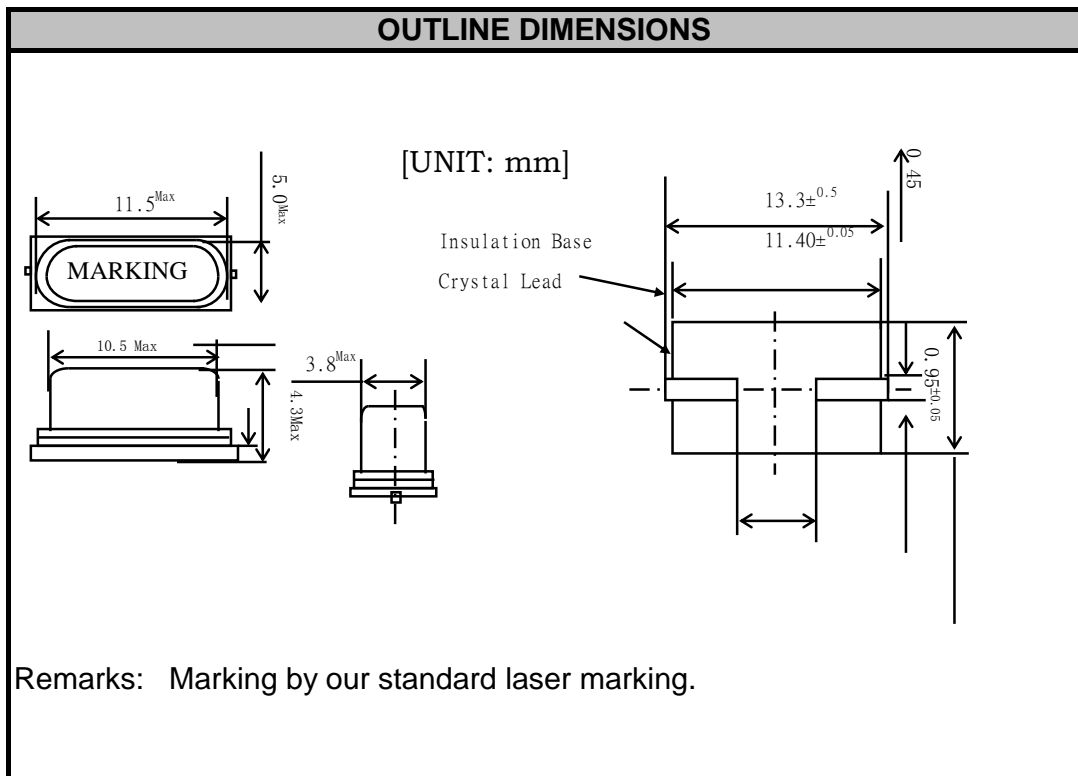


SPECIFICATION DATA SHEET

DATE 23-Feb-10

TYPE	HC-49US/SMD	
Part Number	AS49SD-24.576M-FE200E2	
Nominal frequency	24.576000 MHz	
Oscillation mode	Fundamental	
Frequency tolerance	± 30	ppm 25±3°C
Temperature characteristics	± 30	ppm (-10°C ~+ 70°C)
Load capacitance	20.0	pF
Drive level	100	μW
Series capacitance (C ₁)	13	fF
Parallel capacitance (C ₀)	5.0	pF Max
Series resistance	30	Ω Max
Storage Temperature	-40°C ~+ 85°C	
Aging	± 3	ppm Max /Year

OUTLINE DIMENSIONS



* We reserved the right to change the content anytime.