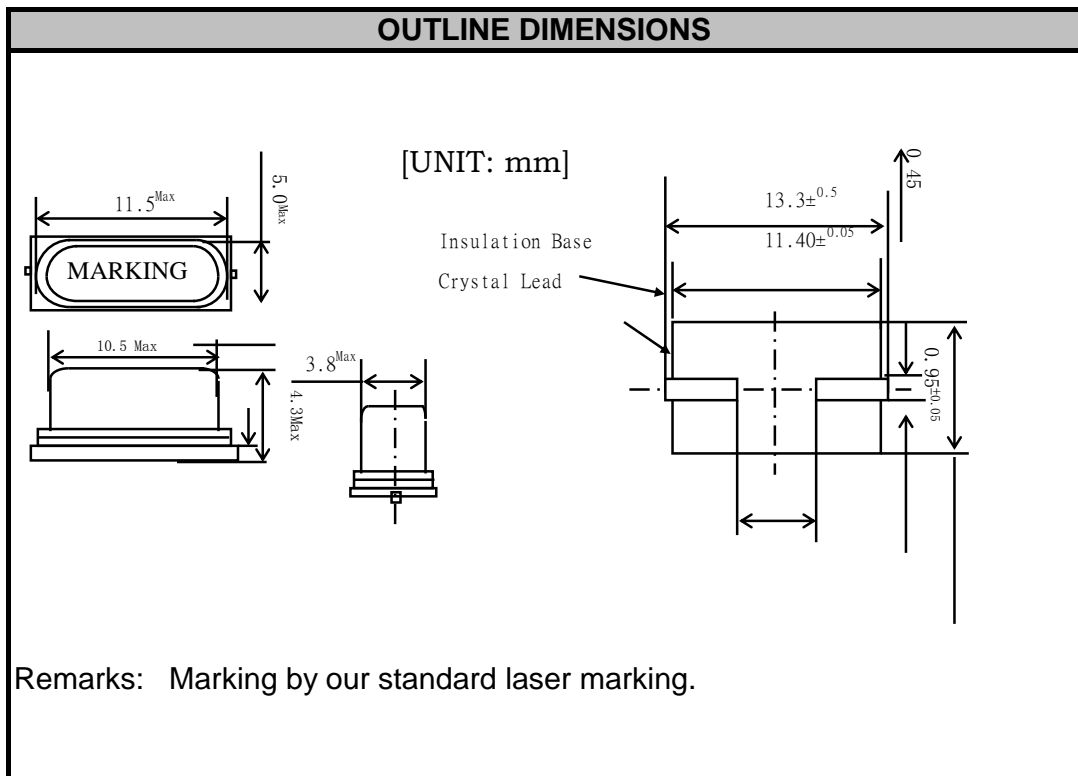


### SPECIFICATION DATA SHEET

DATE: 20-Jan-11

TYPE	HC-49US/SMD
Part Number	AS49SD-4M-FE160E3
Nominal frequency	4.000000 MHz
Oscillation mode	Fundamental
Frequency tolerance	± 30 ppm 25±3°C
Temperature characteristics	± 30 ppm (-20°C ~+ 70°C)
Load capacitance	16.0 pF
Drive level	100 μW
Series capacitance (C <sub>1</sub> )	— fF
Parallel capacitance (C <sub>0</sub> )	7.0 pF Max
Series resistance	150 Ω Max
Storage Temperature	-40°C ~+ 85°C
Aging	± 3 ppm Max /Year

### OUTLINE DIMENSIONS



\* We reserved the right to change the content anytime.