

**SWISSDIS**



Swissdis AG  
Grasweg 7  
CH-4911 Schwarzhäusern

Tel.: +41 62 919 44 00  
Fax: +41 62 919 44 01  
[info@swissdis.ch](mailto:info@swissdis.ch)  
[www.swissdis.ch](http://www.swissdis.ch)



# SPECIFICATIONS

LED STRIPS RGB WATERPROOF IP67

**U-LFPF-W150-RGB**

Version May 2015

# Unilite Opto Technology

email: [info@unilite-tech.com](mailto:info@unilite-tech.com)

## U-LFPF-W150-CV



### ■ Description

- Flexible lighting strip
- White Flexible printed circuit
- Color: RGB full color lighting strip
- Waterproof by Polyurethane(PU) : IP 67
- SMD (PLCC6) type LED
- Dice Material

R: AlGaInP

G: InGaN

B: InGaN



### ■ Features

- 300 pcs SMD LEDs ( 5050 RGB)
- 6 pcs 5050 RGB LED per unit/ 50 units/ reel
- Size: 5000mmX10mmX3.1mm
- Drive: 12 VDC
- 3M back adhesive-tape
- Long operating life
- Instant light
- Pb -free/ RoHS compliant
- Constant Voltage

### ■ Applications

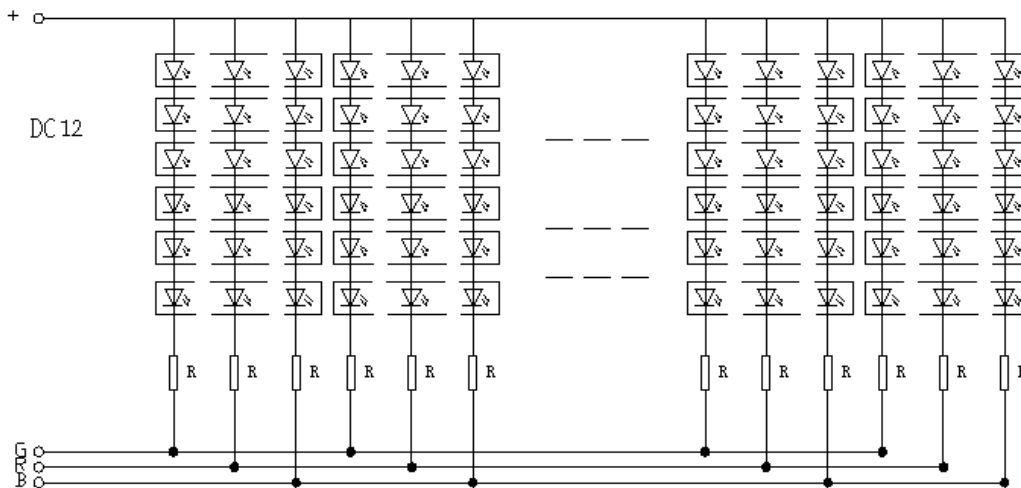
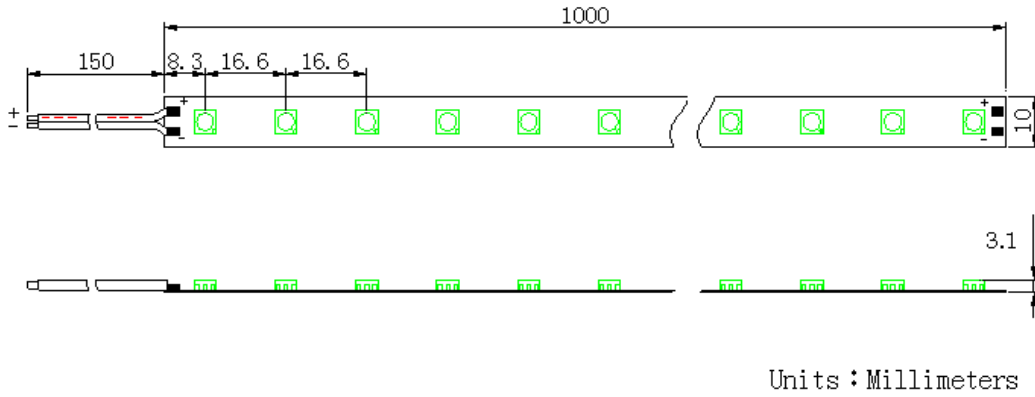
- Architectural decorative lighting
- Backlighting
- Light bar
- Pub lighting
- Theater mood lighting
- Musuem lighting
- Gallery lighting
- Commercial lighting
- Decoration lighting

# Unilite Opto Technology

email: [info@unilite-tech.com](mailto:info@unilite-tech.com)

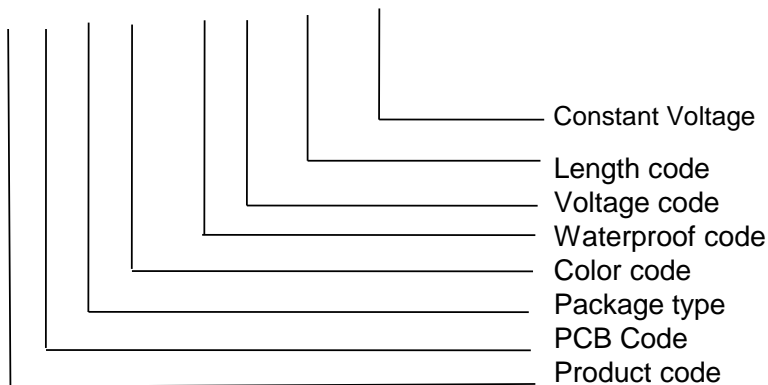
## U-LFPF-W150-CV

### ■ Outline Dimensions ( mm )



### ■ Part Numbering System

**U - L F P F - W 1 5 0 - C V**



# Unilite Opto Technology

email: info@unilite-tech.com

## U-LFPF-W150-CV

PARAMETER	symbol	MAX.	UNIT
Operating Voltage (max)	V	13	V
Power Dissipation/unit/Meter	W	14.4	W
Continuous Forward Current *	IF	1200	mA
Viewing angle2θ1/2		110	
Operating Temperature Range	Topr	-30 to + 50	°C
Storage Temperature Range	Tstg	-40 to + 85	°C

### ■ Typical Electrical/Optical Characteristics at 12VDC Ta= 25 °C

#### PARAMETER

Color	R	G	B
Peak Emmission Wavelength	632	520	470
Dominant Wavelength	624	515	465
Luminous Intensity( mcd / pcs LED )	400-600	1000-1200	200-300
Luminous Flux/unit/M	288-350LM		

# Unilite Opto Technology

email: [info@unilite-tech.com](mailto:info@unilite-tech.com)

## U-LFPF-W150-CV

### ■ Cautions

1. Caution: The limited of curve of position and angle:
3. The internal electronic layout will be damaged by smaller angle of curve
4. Over driving at high current is not allowed.
5. Any strong shocks or vibration may result in malfunction.
6. Keep the LED module dry , do not expose it to water or high level of humid.
7. This LED module must be operated by adults , do not allow child to play with it.
8. Assembly must not damage or destroy conducting paths on the circuit board.
9. The LED module itself and all its components must not be mechanically stressed
10. Correct electrical polarity needs to be observed. Wrong polarity will result in no light emission.
11. Exceeding maximum ratings for operating and storage temperature will reduce expected life
12. When mounting on .metallic or otherwise conductive surfaces , there needs to be a electrical
13. Some reasons for damage are wrong way of connections and overtime lighting.
14. The instance of connecting between power supply and module should be smaller as possible.
15. Surface of interface of assembly must be very clear. Please move oil, water or dust out on the surface.
16. Please build up the heatsink or venthole in the power supply box due to DC power's heat.
17. Please kindly choose the waterproof power supply box for outdoor use.