

SWISSDIS



Swissdis AG
Grasweg 7
CH-4911 Schwarzhäusern

Tel.: +41 62 919 44 00
Fax: +41 62 919 44 01
info@swissdis.ch
www.swissdis.ch

SPECIFICATIONS

Oscillators CMOS

AS071C

Version September 2011

ASO71C CMOS Compatible

1.8 Volt 7x5mm Surface Mount Ceramic Crystal Oscillator

Applications:

- PCMCIA Card
- Notebook PC
- Portable PC
- HDD
- OA Terminal
- CCD
- Digital Camera
- Wireless LAN

FEATURES

- Seam Seal
- Excellent Solderability
- Tri-State
- CMOS Compatible
- Low Power Consumption
- RoHS Compliant

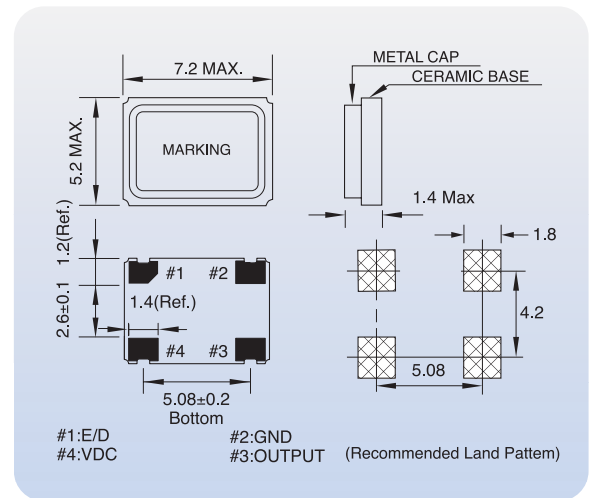
SPECIFICATION

MODEL		ASO71C
Frequency Range	MHz	0.500 ~ 156.000
Frequency Stability*	ppm	±20 ~ ±100
Temperature Range		
Operating Temp	°C	-10 to +70
Storage Temp	°C	-55 to +125
Power Supply Voltage	VDC	+1.8 ±5%
Output Level		CMOS
Output Symmetry	%**	40~60 (at 50% VDD)
Input Current		
0.5~9.99MHz	mA (Max.)	5
10~19.99MHz		6
20~31.99MHz		6
32~49.99MHz		15
50~79.99MHz		15
80~99.99MHz		20
100~156MHz	25	
Rise / Fall Time		
0.5~31.99MHz	nS (Max.)	5
32~49.99MHz		5
50~79.99MHz		4
80~99.99MHz		3
100~156MHz		3
Output Load		15pF (50pF)
Aging	ppm/Year	±3

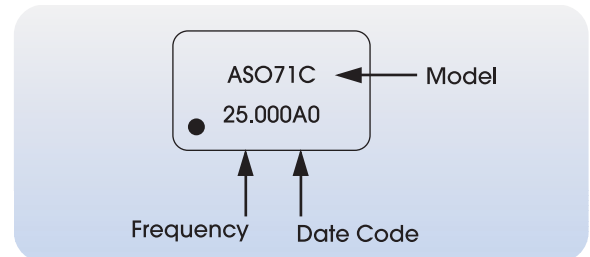
* Inclusive of 25°C ±3°C & Operating Temperature Range.

** Symmetry of 45~55% is available.

DIMENSION (mm)



MARKING RULE



ENABLE / DISABLE FUNCTION

INH (# 1)	OUTPUT (# 3)
HIGH (Open)	Operating
Low	High impedance

PART NUMBERING GUIDE

Example: ASO71C-25M-F2T

MODEL	Frequency	Stability	OP Temp Range	Tristate
ASO71C	In MHZ	C: ±20ppm D: ±25ppm E: ±30ppm F: ±50ppm G: ±100ppm O: Others	1: 0 to +70°C 2: -10 to +70°C 3: -20 to +70°C 4: -20 to +80°C 5: -40 to +85°C 6: -40 to +105°C 0: Others	T: Tristate N: Non-Tristate